

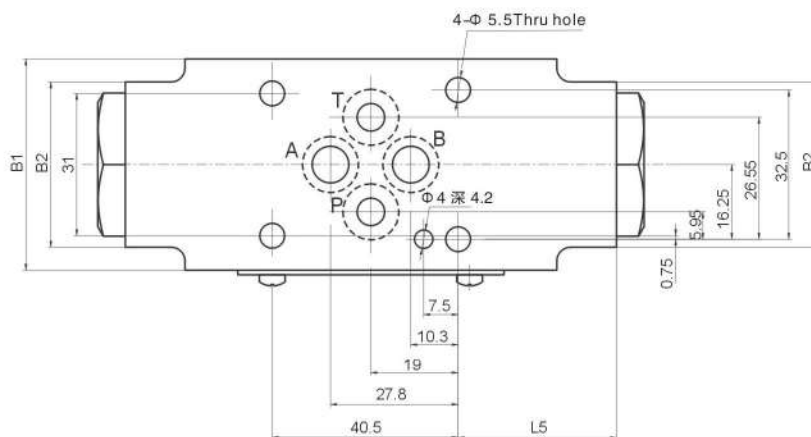
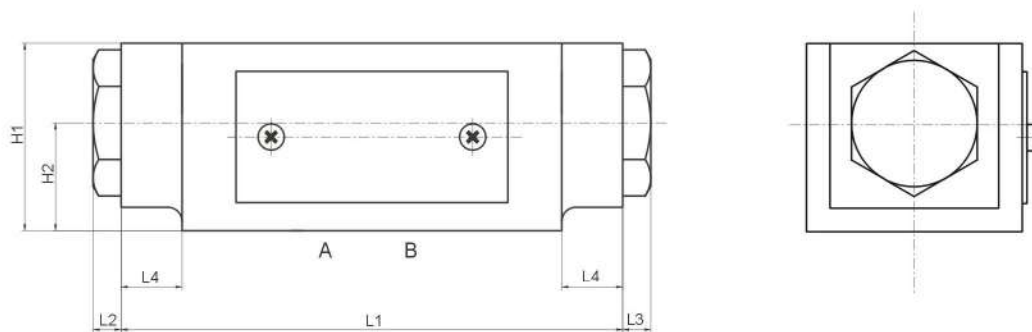
MODULAR CHECK VALVE

CETOP3



TECHNICAL DATA

Product	MODEL	SCHEME	FLOW	MAX. PRESSURE	HYDRAULIC FLUID	FLUID TEMP	VISCOSITY	WORKING PRESSURE
			LTS/MIN	BAR		°C	mm ² /s	BAR
MC3P1	MC3	P	40	315	Mineral oil phosphate ester	-20 to 70	2.8 ~380	0.5
MC3T1	MC3	T						



Product	B1	B2	H1	H2	L1	L2	L3	L4	L5
MC3P1	46	-	40	20	80	-	6	-	20
MC3T1	46	-	40	20	80	-	6	-	20

